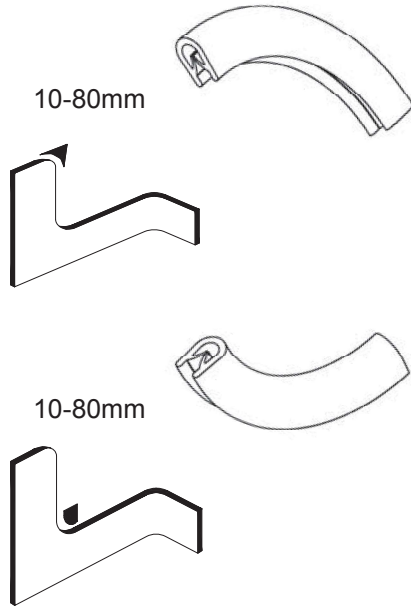


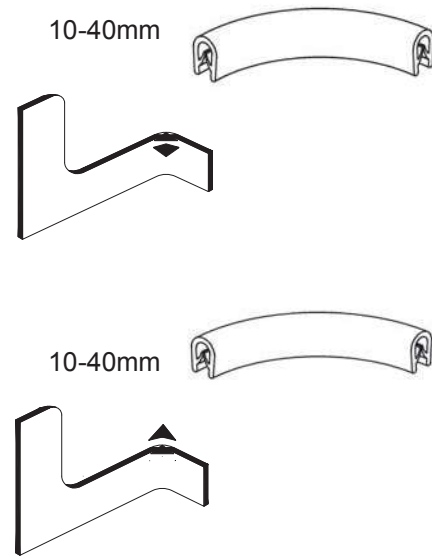
## Minimum bending radii

Please note that the minimum bending radii indicated are to be considered as guidelines which, depending on the material, clamping range and application of the profile used, may vary.

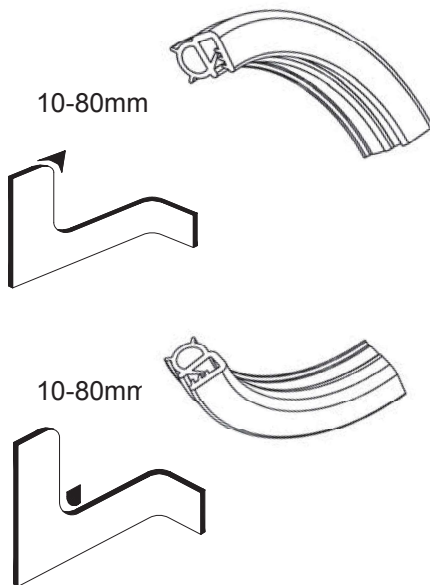
### Edge protection



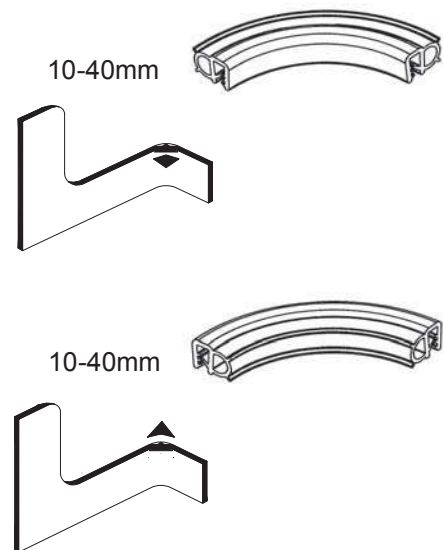
### here shown with profile A1 015



### Edge protection with sealing



### here shown with profile A1 549



### Glazing profiles

For these profiles, the bending radius will comply with the radius of the pane.